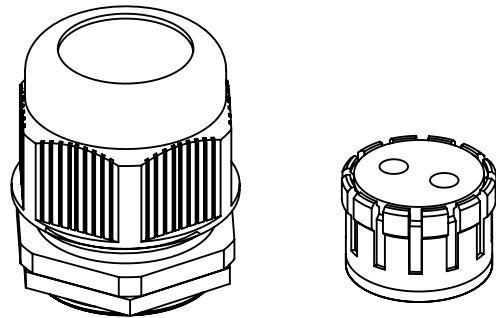


TriCab Multi-hole Cable Glands are precision engineered from Nylon 66. Available in 2-hole, 3-hole and 4-hole options.



Materials

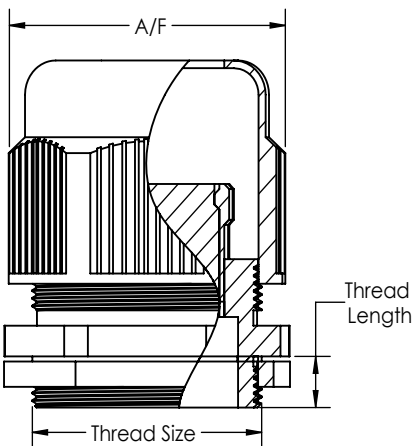
- Nylon PA66 body and claw
- Nitrile Butadiene Rubber (NBR) seal and O-ring

Standards

- AS/NZS 60529, IEC 60529, EN 60529

Operating Temperature

- -40°C to 110°C
- -40°F to 230°F



Product Code	Range of Cable Dia (mm)	Thread Type	Thread Length (mm)	Wrench A/F Size (mm)	TriCab Recommended Solar Cable
D12-AKXS/2N25	2-5	M25x1.5	15	33	SD4, SF4
D12-AKXS/3N25				33	
D12-AKXS/4N25				33	
D12-AKXX/2N25	5-7	M25x1.5	15	33	SD6, SF6
D12-AKXX/3N25				33	
D12-AKXX/4N25				33	

SEALING NUT

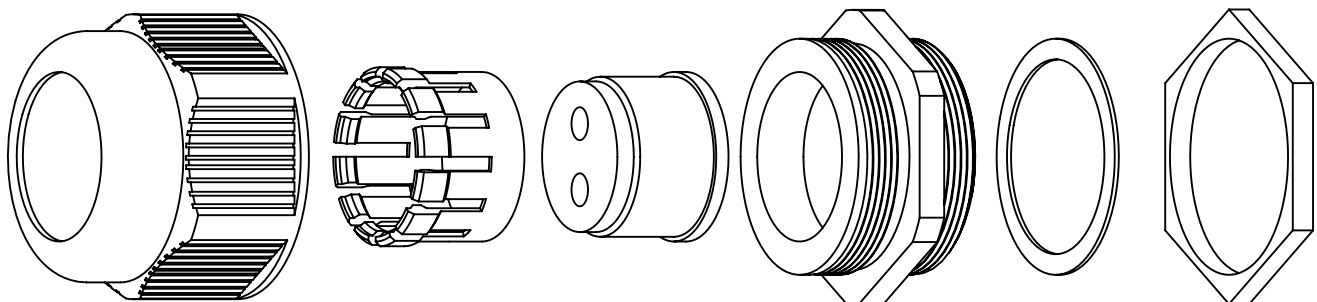
CLAW

SEAL

BODY

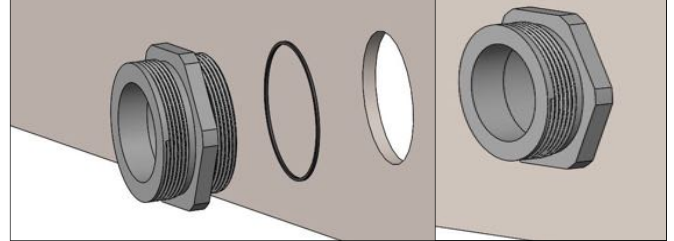
O-RING

LOCK NUT



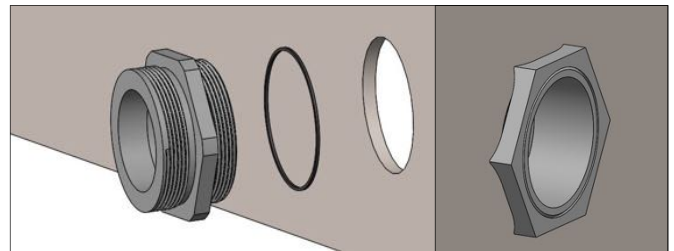
1 Remove **gland body** from **lock nut**, **O-Ring**, **seal**, **claw** and **sealing nut**

2 Option 1: Screw the **gland body** with **O-ring** into the corresponding thread hole on gland plate.

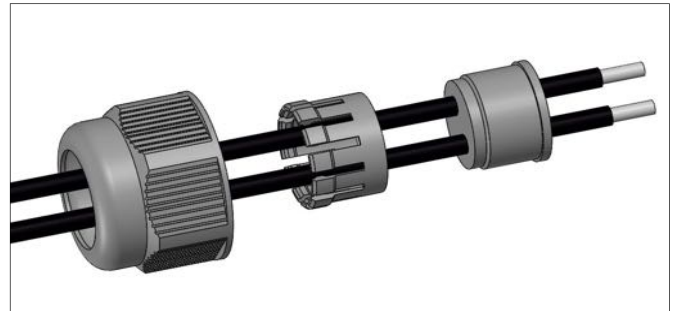


Option 2: Fit the **gland body** with **O-ring** to the clearance hole on gland plate. Use a spanner to tighten the **lock nut** on the other side of gland plate to **gland body**.

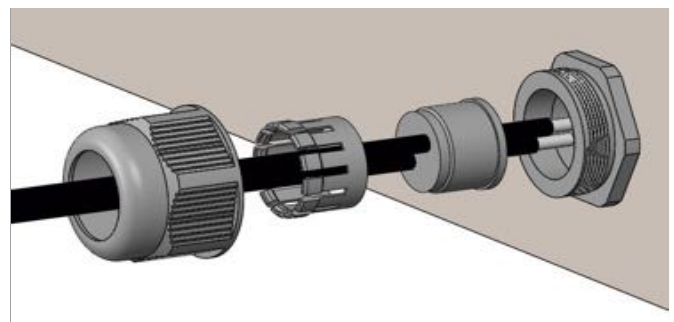
It is recommended that clearance hole diameter should not be more than 0.7mm to major thread diameter on gland to maintain IP rating. Refer to enclosure manufacturer instruction for more detail.



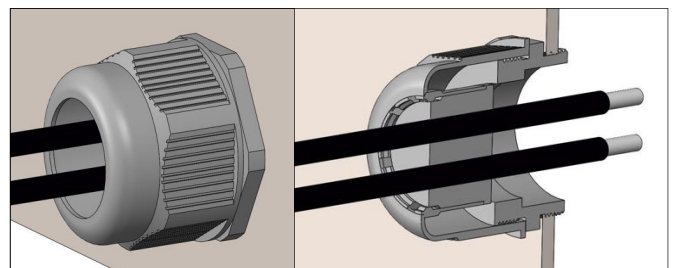
3 Strip the cable at desired lengths. Insert **sealing nut**, **seal** and **claw** to the cable.



4 Insert cable to **gland body**. Adjust **sealing nut**, **claw** and **seal** to correct position. Adjust the cable to make sure the outer sheath completely passed the **seal** and **claw** section. Manually tighten the **sealing nut** for temporary fixing.



5 Use a spanner to tighten the **sealing nut** until the cable is securely fastened. Double check the cable connection and the position if necessary.



This Installation Guide was designed with great care and proper testing before publication to ensure the product works perfectly with TriCab flexible cables. However, when using this product with different cables other than TriCab flexible cables, it is sole responsibility of user to make their own tests, calculations to determine the suitability. TriCab is not liable for any errors, omissions, damages etc. due to improper use of this product, included but not limited to improper installation deviating from this Guide, safety and warning rules violation, using unsuitable cable other than TriCab flexible cable. TriCab reserves the right to modify this Installation Guide at any time without prior notice.